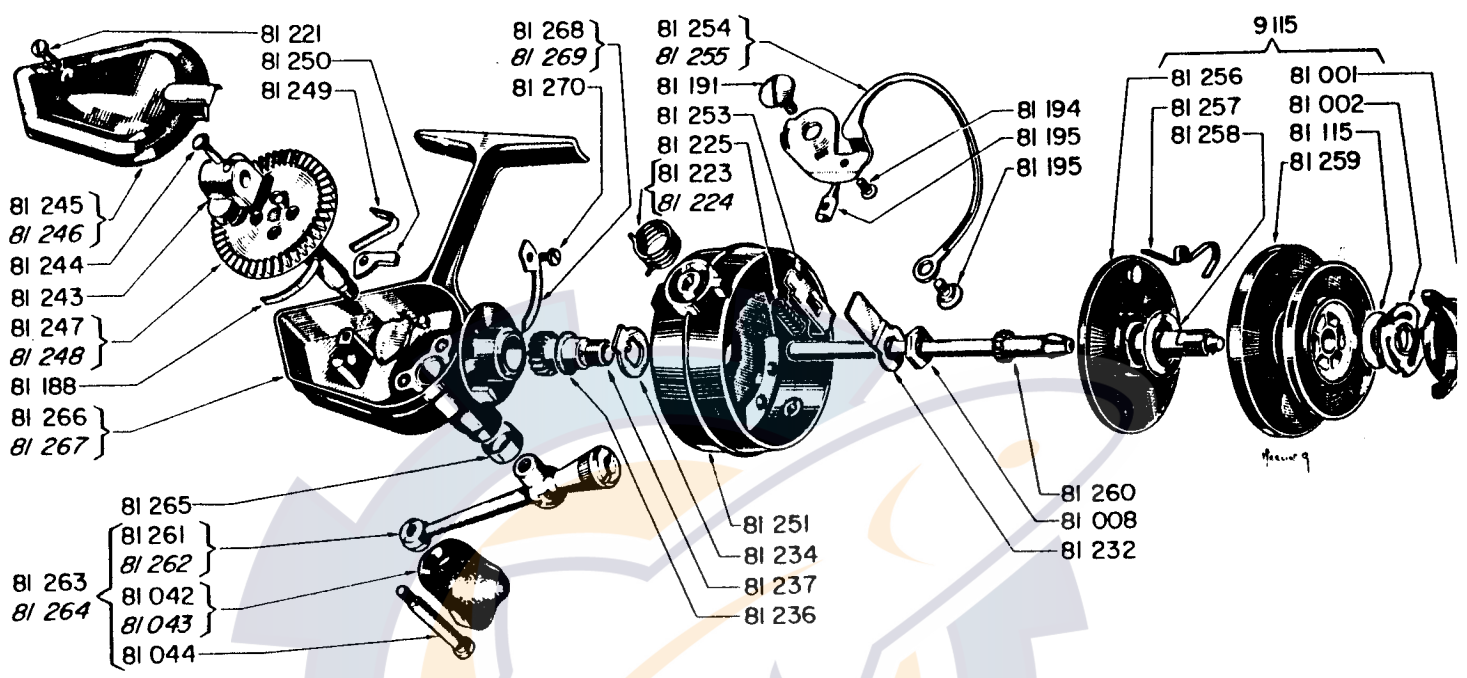




MITCHELL 324-325



Prices subject to change without notice
Items in red for left hand model 325

Please specify both reel model and part numbers when ordering.

No.	Part Name	Price	No.	Part Name	Price	No.	Part Name	Price
9115	Spool Complete, Standard	1.75	81225 (24)	Bail Trip Spring	.10	81255 (10L)	Bail (325)	1.60
81001 (112)	Drag Adjusting Knob	.25	81232 (18)	Bail Trip Plate	.10	81256 (12)	Spindle	.75
81002 (111)	Brake Spring	.30	81234 (21)	Keyed Washer	.10	81257 (13)	Click Spring	.10
81008 (14)	Hex Nut	.10	81235 (17)	Pinion Gear	.65	81258 (19)	Base Drag Washer	.10
81042 (101)	Handle Knob (324)	.25	81236 (26)	Thrust Washer	.10	81259 (15)	Spool Shell	.75
81043 (101L)	Handle Knob (325)	.25	81243 (9)	Oscillation Slide	.10	81260 (20)	Axle	.60
81044 (100)	Handle Knob Screw	.10	81244 (2)	Oscillation Slide Lock	.10	81261 (28)	Handle Shank (324)	1.25
81115 (108)	Drag Washer	.10	81245 (11)	Side Plate (324)	.30	81262 (28L)	Handle Shank (325)	1.25
81188 (22)	Anti Reverse Lever Spring	.10	81246 (11L)	Side Plate (325)	.30	81263 (29)	Handle Complete (324)	1.50
81191 (32)	Bail Screw No. 1	.15	81247 (1)	Drive Gear (324)	1.00	81264 (29L)	Handle Complete (325)	1.50
81194 (31)	Line Guide Screw	.10	81248 (1L)	Drive Gear (325)	1.00	81265 (27)	Dust Shield	.10
81195 (7)	Line Guide	.40	81249 (3)	Anti Reverse Dog Spring	.10	81266 (34)	Housing (324)	2.75
81196 (33)	Bail Screw No. 2	.15	81250 (4)	Anti Reverse Dog	.10	81267 (34L)	Housing (325)	2.75
81221 (30)	Side Plate Screw	.10	81251 (8)	Rotating Head	2.00	81268 (5)	Anti Inertia Brake (324)	.15
81223 (23)	Bail Spring (324)	.15	81253 (25)	Bail Trip	.20	81269 (5L)	Anti Inertia Brake (325)	.15
81224 (23L)	Bail Spring (325)	.15	81254 (10)	Bail (324)	1.60	81270 (6)	Anti Inertia Brake Screw	.10

PARTS AND SERVICE AVAILABLE AT THE FOLLOWING REGIONAL FACTORY REPAIR DEPOTS:

FACTORY SERVICE
RODS, REELS AND PARTS

SILICOTE SALES DIVISION
520 WEST 14th AVENUE
OSHKOSH, WISCONSIN 54902

NATE BUELL SERVICE CORPORATION
5013 N.E. 42nd STREET
PORTLAND, OREGON 97218

THE GARCIA SERVICE DEPARTMENT
329 ALFRED AVENUE
TEANECK, NEW JERSEY 07666

J. K. CLARK COMPANY
ACO SPORTSMEN SERVICE
13501 VAN DYKE
DETROIT, MICHIGAN 48234

HARRY C. MILLER CO., INC.
257 PARK AVENUE SOUTH
NEW YORK, NEW YORK 10010

THE CONOLON CORPORATION
1111 EAST McFADDEN STREET
SANTA ANA, CALIFORNIA 92705

REEL SERVICE AND PARTS

SHERMAN LOYD SALES COMPANY
4737 GREENVILLE AVENUE
DALLAS, TEXAS 75208